

**II B. Tech II Semester Supplementary Examinations, April - 2021**  
**MACHINE DRAWING**  
(Com to ME, AME)

Time: 3 hours

Max. Marks: 70

- 
- Note: 1. Question Paper consists of two parts (**Part-A** and **Part-B**)  
2. Answer any Two questions in **Part-A** - 10x2 = 20 marks  
3. Question from **Part-B** is compulsory - 50x1= 50 marks
- ~~~~~

**PART -A**

1. a) Sketch flat saddle key in two views as fitted in position between a shaft and the mounting. Choose shaft diameter as 20mm and hub diameter of mounting as 40mm (5M)
- b) Sketch the following forms of nut with proportions marked taking D = 20mm. (5M)
  - (i) Flanged nut
  - (ii) Dome nut
- 2 Draw (a) half sectional view from the front and top half in section and (b) half sectional view from side, left half in section of a split muff coupling taking diameter of the two shafts as 30mm. (10M)
- 3 Draw (a) half sectional view from the front with left half in section and (b) view from the above of a bushed bearing supporting a shaft of diameter 25mm. (10M)

**PART -B**

2. a) Assemble all parts of the screw jack, shown in Fig. 1 and draw the following views: (50M)
  - (i) Half sectional view from the front, and
  - (ii) View from above.



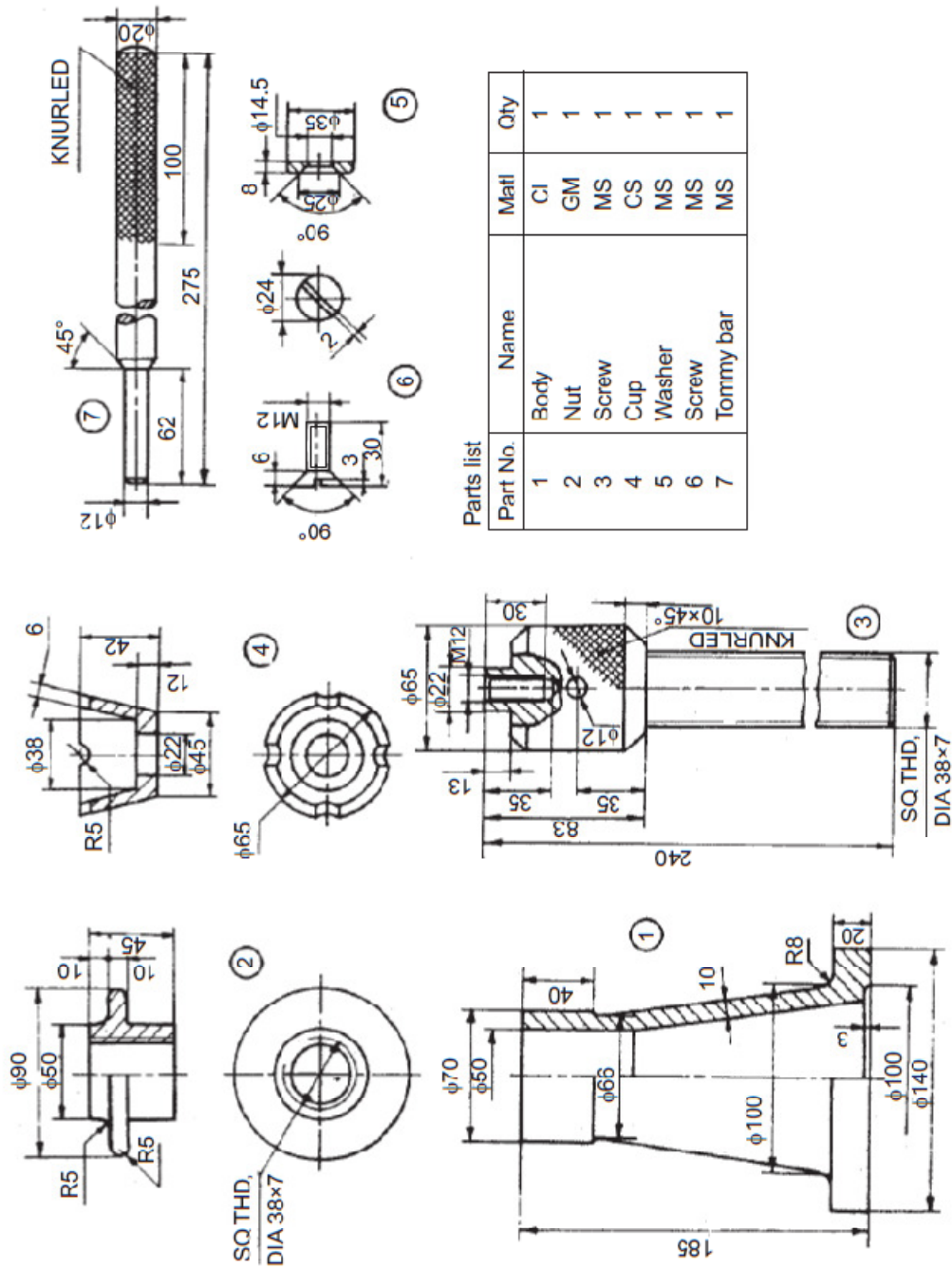


Fig 1 Screw jack

**II B. Tech II Semester Regular/Supplementary Examinations, November - 2020****MACHINE DRAWING**

(Com to ME, AME)

Time: 3 hours

Max. Marks: 70

---

Note: 1. Question Paper consists of two parts (**Part-A** and **Part-B**)

2. Answer **any two questions** in **Part-A** - 10x2=20 marks

3. Question from **Part-B** is compulsory - 50x1=50 marks

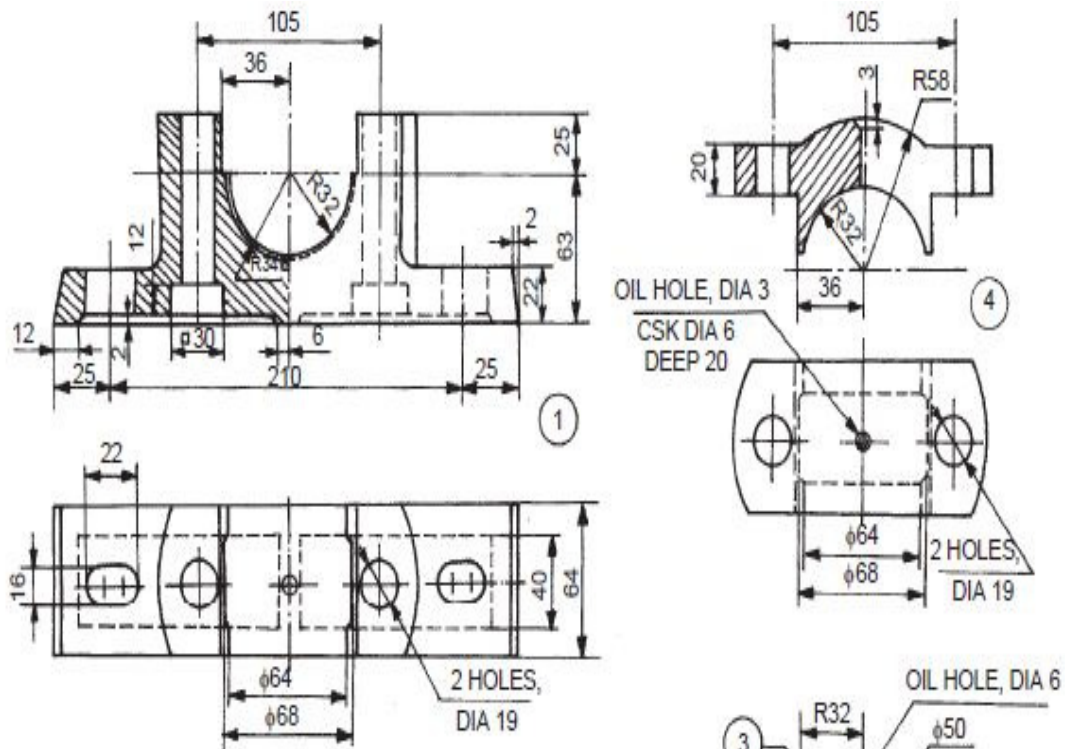
~~~~~

**PART -A**

1. Draw (a) Front sectional view and (b) top view, of the following riveted joints, to join plates of thickness 10 mm: (10M)  
(i) single riveted lap joint, (ii) double riveted, double strap, zig-zag butt joint.
2. Sketch neatly, giving proportionate dimensions; the following foundation bolts of diameter 30 mm: (a) eye foundation bolt, and (b) Lewis foundation bolt (10M)
3. Draw (a) sectional view from the front and (b) view from the side of a universal coupling, indicating proportions, to connect two shafts, each of diameter 40 mm. (10M)

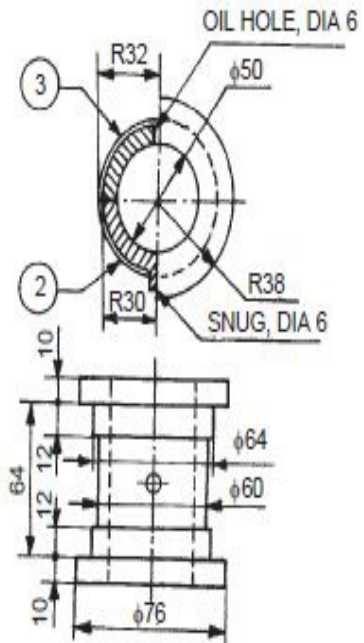
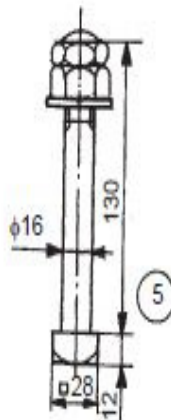
**PART -B**

2. a) Assemble the parts of Plummer block shown in figure. Draw the following views --Half sectional view from the front, with left half in section (40M)
- b) View from the above. (10M)



Parts list

| Sl. No. | Name           | Matl.  | Qty. |
|---------|----------------|--------|------|
| 1       | Base           | CI     | 1    |
| 2       | Bearing brass  | Bronze | 1    |
| 3       | Bearing brass  | Bronze | 1    |
| 4       | Cap            | CI     | 1    |
| 5       | Bolt with nuts | MS     | 2    |



**II B. Tech II Semester Supplementary Examinations, November - 2019**  
**MACHINE DRAWING**  
(Com to ME, AME)

Time: 3 hours

Max. Marks: 70

- 
- Note: 1. Question Paper consists of two parts (**Part-A** and **Part-B**)  
2. Answer any Two questions in **Part-A** -  $10 \times 2 = 20$  marks  
3. Question from **Part-B** is compulsory -  $50 \times 1 = 50$  marks
- 

**PART -A**

1. a) Sketch the following forms of nuts with proportions marked taking  $D = 20\text{mm}$ . (5M)
  - (i) Cap Nut
  - (ii) Capstan nut
- b) Draw any two set screw heads taking  $D = 10\text{mm}$ . (5M)
- 2 Sketch the sectional view from the front and view from the side of a Half lap muff coupling indicating proportions for connecting two shafts each of diameter  $30\text{mm}$ . (10M)
- 3 Draw (a) half sectional view from the front with left half in section and (b) view from the above of a Solid journal bearing supporting a shaft of diameter  $25\text{mm}$ . (10M)

**PART -B**

4. Assemble the parts of the petrol engine connecting rod, shown in Fig. 1 and draw the following views: (50M)
  - (i) Half sectional view from the front, and
  - (ii) View from above.



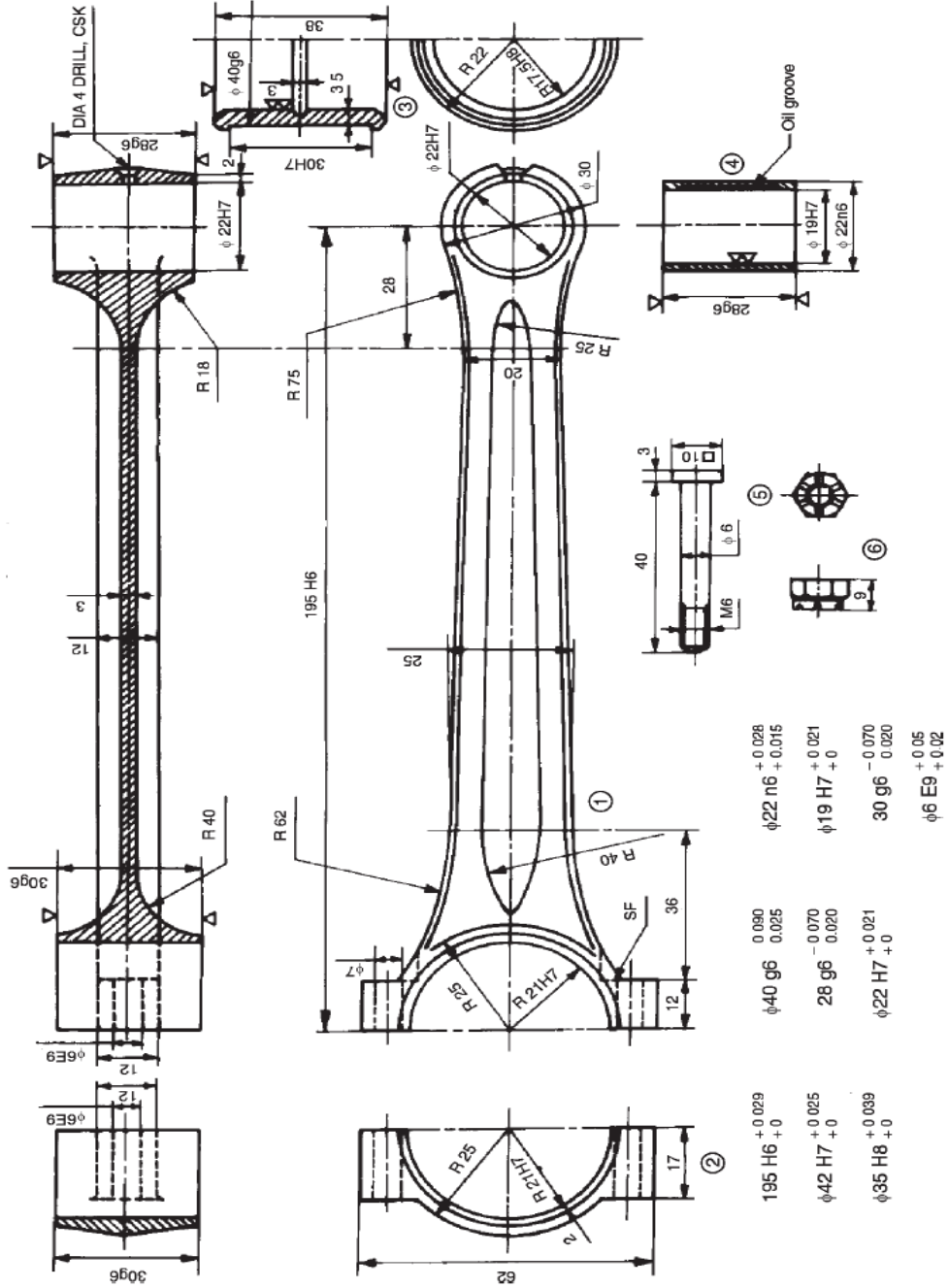


Fig. 1 Details of petrol engine connecting rod

Parts list

| Part No. | Name          | Matl.    | Qty. |
|----------|---------------|----------|------|
| 1        | Rod           | FS       | 1    |
| 2        | Cap           | FS       | 1    |
| 3        | Bearing brass | GM       | 2    |
| 4        | Bearing bush  | P Bronze | 1    |
| 5        | Bolt          | MCS      | 2    |
| 6        | Nut           | MCS      | 2    |

