



Intellectual
Property
Office

Certificate of Registration for a UK Design

Design number: 6320790

Grant date: 30 October 2023

Registration date: 21 October 2023

This is to certify that,

in pursuance of and subject to the provision of Registered Designs Act 1949, the design of which a representation or specimen is attached, had been registered as of the date of registration shown above in the name of

Dr. Alla Srivani, Dr. Bellamkonda Tirumala Rao, Dr. Prathibha Bangalore

Shivaram Singh, Dr. Chavakula Rajyalakshmi, Dr. Mobika Jayaraj, Jaishree

Sharma, Suguru Pathinti Ramadevi, Dr. Ankam Raghavendra Rao, Dr.

Yamparala Naga Bhaskararao, Dr. Thirugnanasambandam Jayanalina, Dr.

Rupali Atul Mahajan

in respect of the application of such design to:

Advanced Transmission Electron Microscope (TEM) Machine

International Design Classification:

Version: 14-2023

Class: 16 PHOTOGRAPHIC, CINEMATOGRAPHIC AND OPTICAL
APPARATUS

Subclass: 06 OPTICAL ARTICLES

Adam Williams

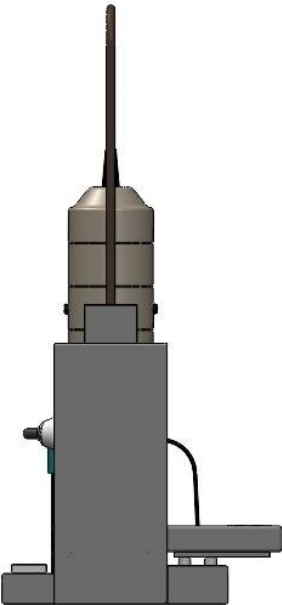
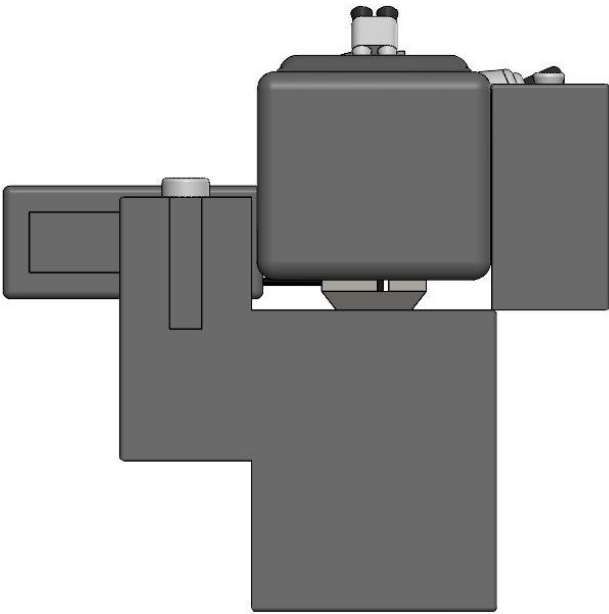
Comptroller-General of Patents, Designs and Trade Marks

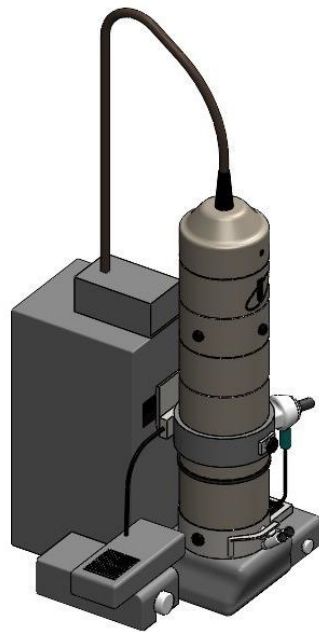
Intellectual Property Office

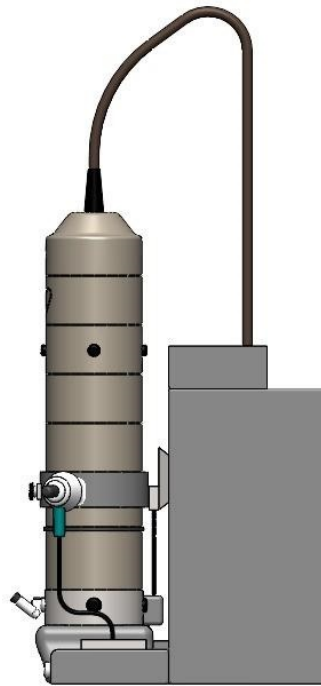
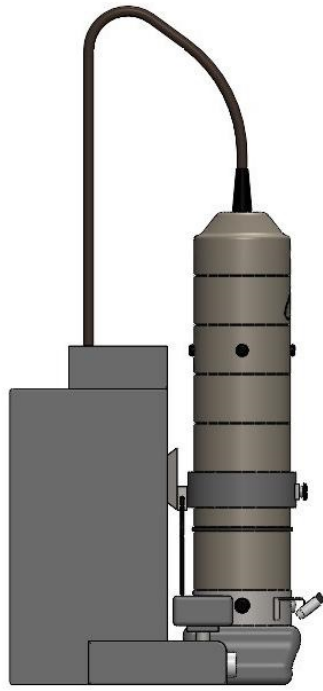
The attention of the Proprietor(s) is drawn to the important notes overleaf.

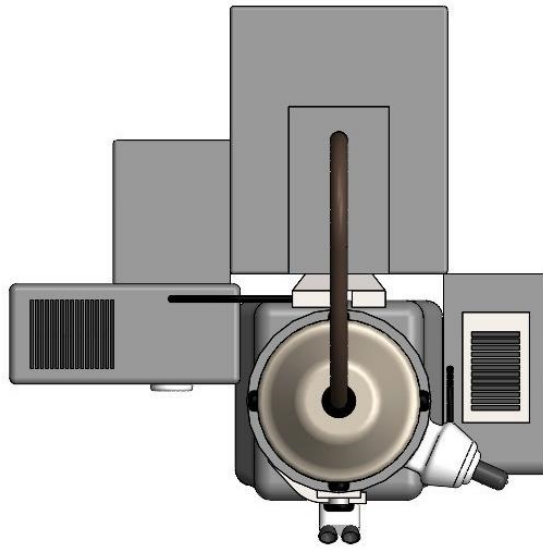


Representation of Designs









Intellectual Property Office is an operating name of the Patent Office

www.gov.uk/ipo